

Metamark
DS-200
 Roller Banner Stand

Specifications

Finished Graphic Panel Size

2200mm (h) X 800 (w)mm
 (includes 200mm bleed)

Visual Graphic Size

2000mm (h) X 800 (w)mm (10mm of graphic
 hidden by top gripping hanger.)

Recommended Media

Metamark MD-RU200 / MD-RU330

Maximum Finished Graphic Panel Thickness

250 micron

Assembled Size

2100 (h) X 815 (w) X 390 (d)mm

Weight

2.4kg

Components List

DS-200 unit
 3 part bungee pole
 Graphic hanger with snap rail
 Carry bag

Warranty:

1 year from date of purchase.
 This covers product failure due to
 manufacturing defects only.

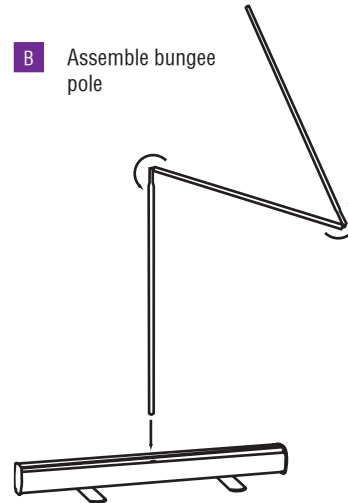


Assembly Instructions

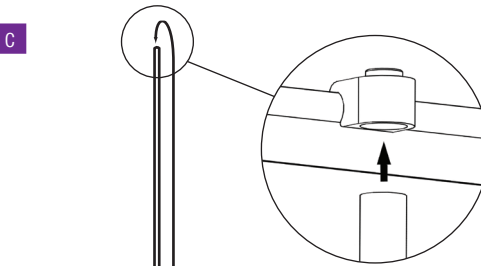
A Rotate feet into position



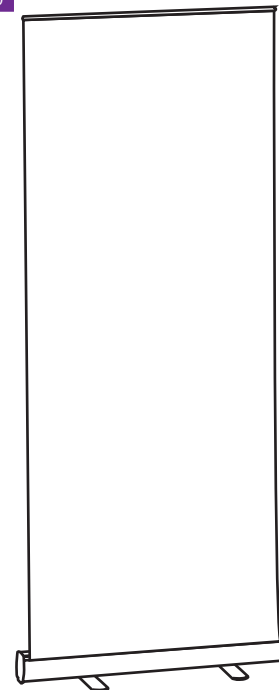
B Assemble bungee pole



C



D

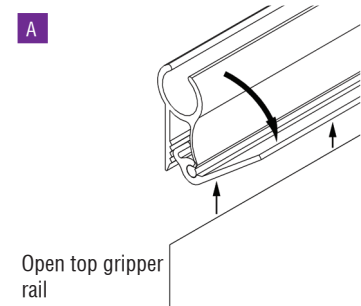


Attach top hanger

Completed Roller Banner Stand

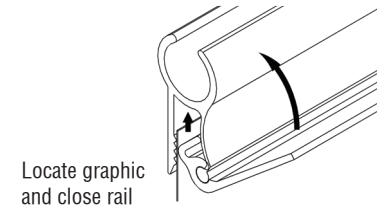
Graphic Attachment

A



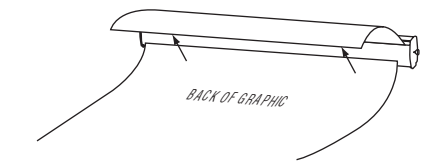
Open top gripper rail

B



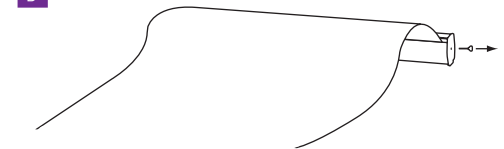
Locate graphic and close rail

C



Attach rear bottom edge of graphic to double-sided tape on leader sheet.
 Note: Ensure very careful alignment.

D



Holding onto graphic, remove locking pin and allow graphic to slowly retract into unit.